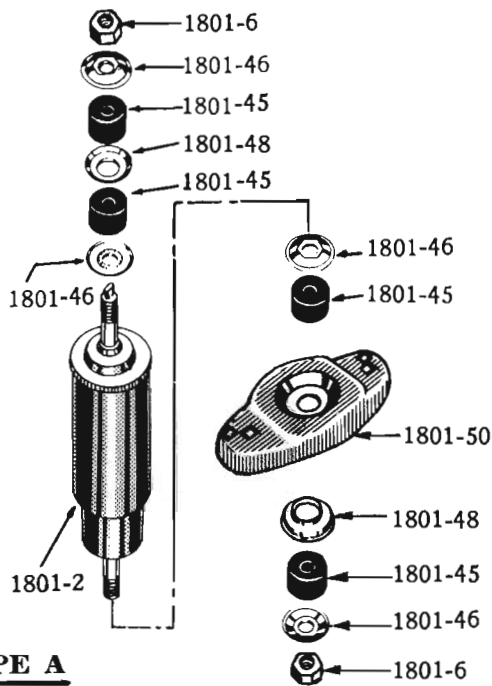


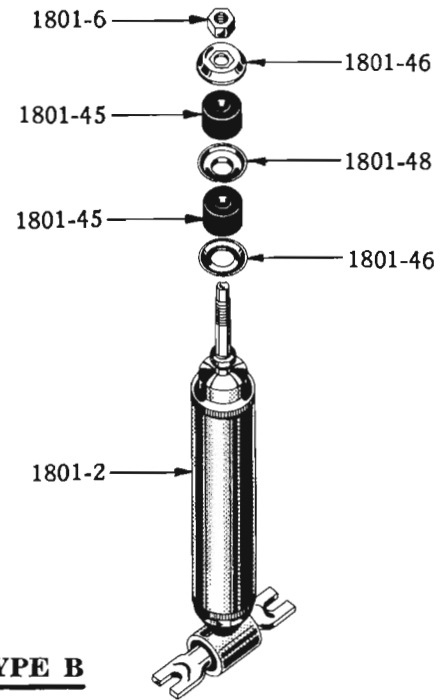
SHOCK ABSORBERS, BUMPERS AND GUARDS

Plate 18-1



TYPE A

MODELS 16G, 6H, 56G, 56B, 56H, 56J, 57B, 57H

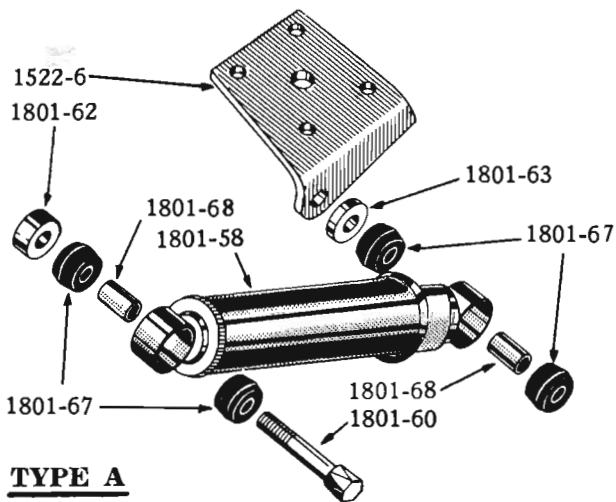


TYPE B

MODELS 57G, 57B, 57H

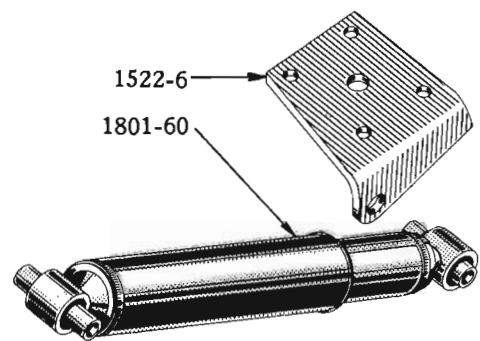
57L TYPICAL

LEFT FRONT SHOCK ABSORBER



TYPE A

MODELS 16G, 6H, 56G, 56B, 56H, 56J, 57B, 57H



TYPE B

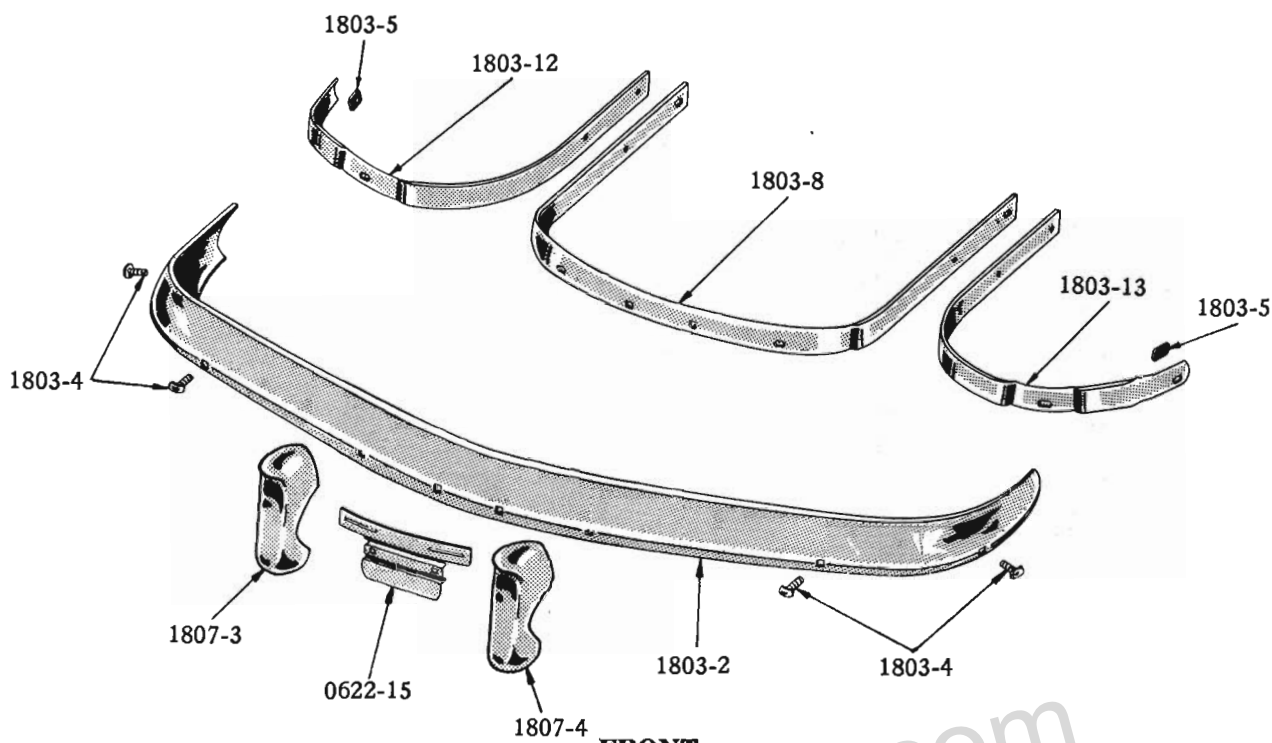
MODELS 57G, 57B, 57H

57L TYPICAL

LEFT REAR SHOCK ABSORBER

C-2721

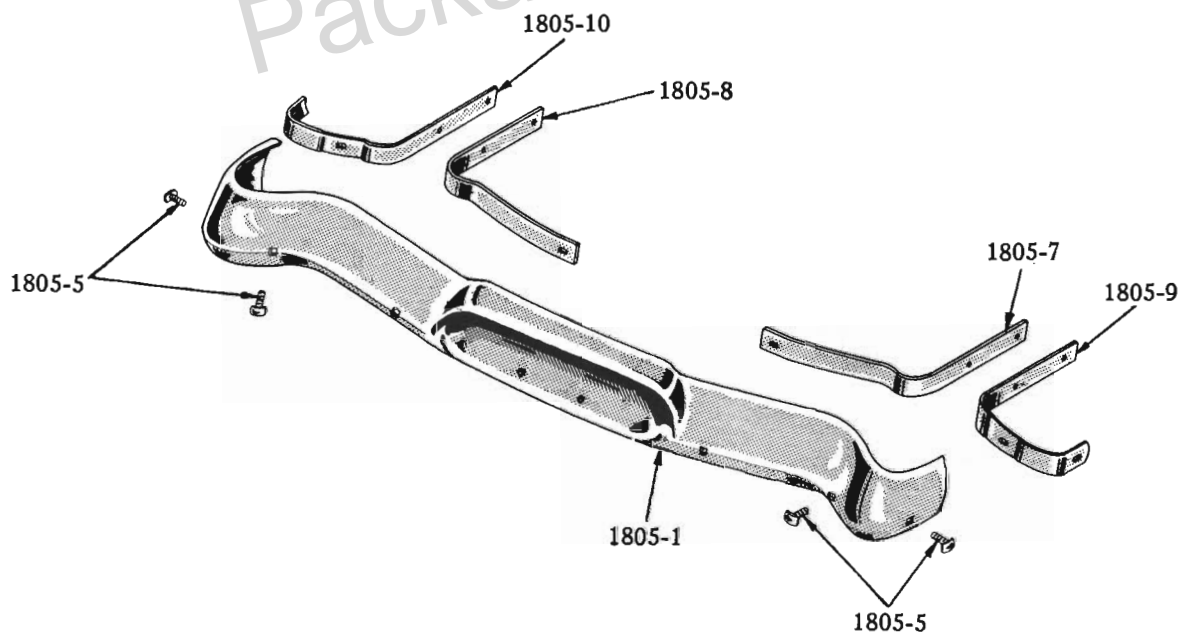
SHOCK ABSORBERS, BUMPERS AND GUARDS



FRONT

MODELS 16G, 6H

MODELS 56G, 56B, 56H, 56J, 57G, 57B, 57H-C-K



REAR

MODELS 16G, 6H-W-Y-F-C-K

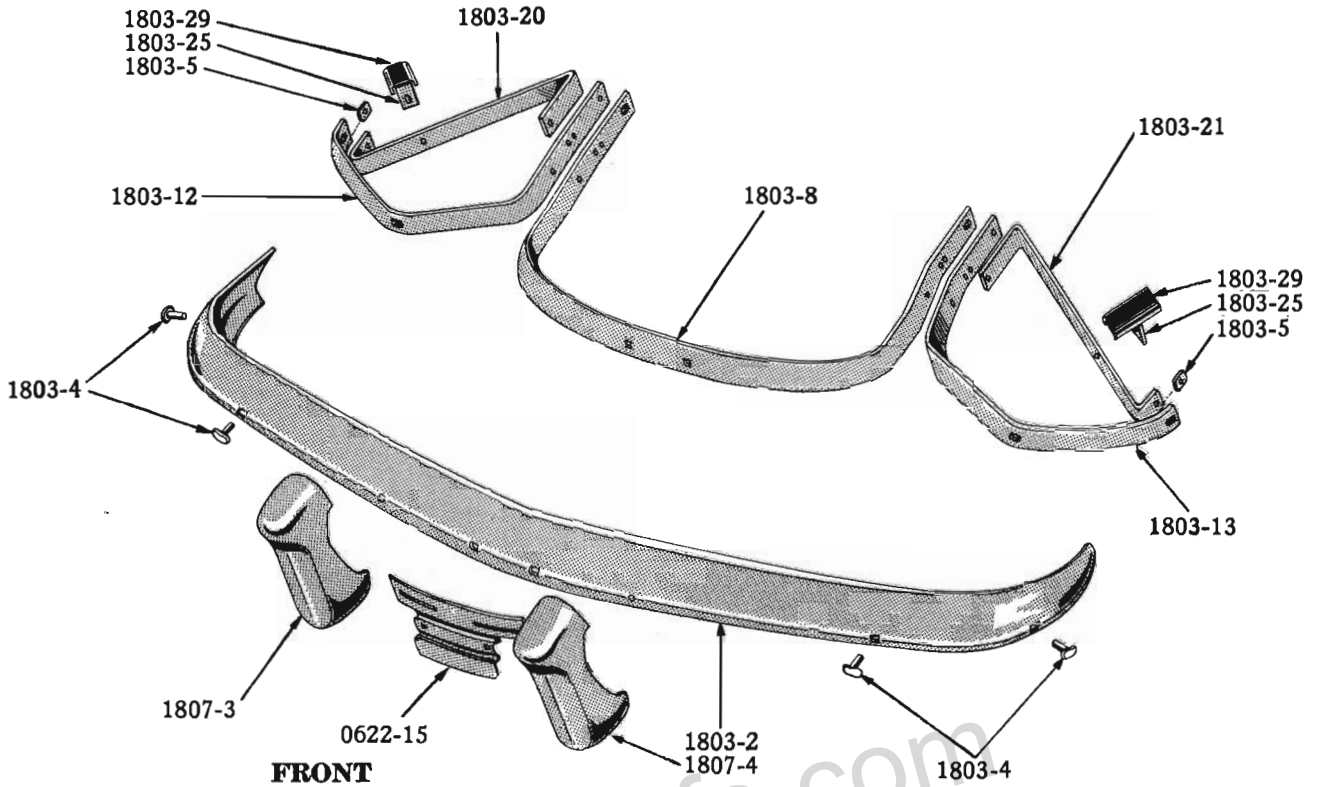
MODELS 56G, 56B, 56H, 56J, 57G, 57B, 57H-C-K

C-3215

BUMPER BARS and GUARDS

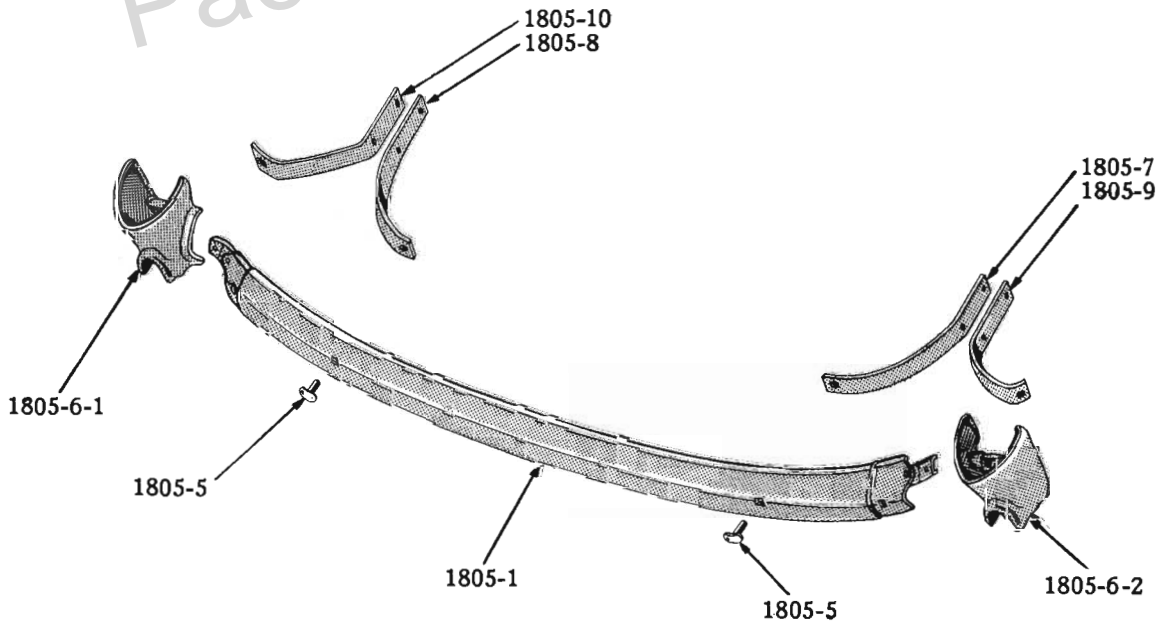
SHOCK ABSORBERS, BUMPERS AND GUARDS

Plate 18-3



FRONT

MODELS 56G, 56B, 56H-W-Y-F-D



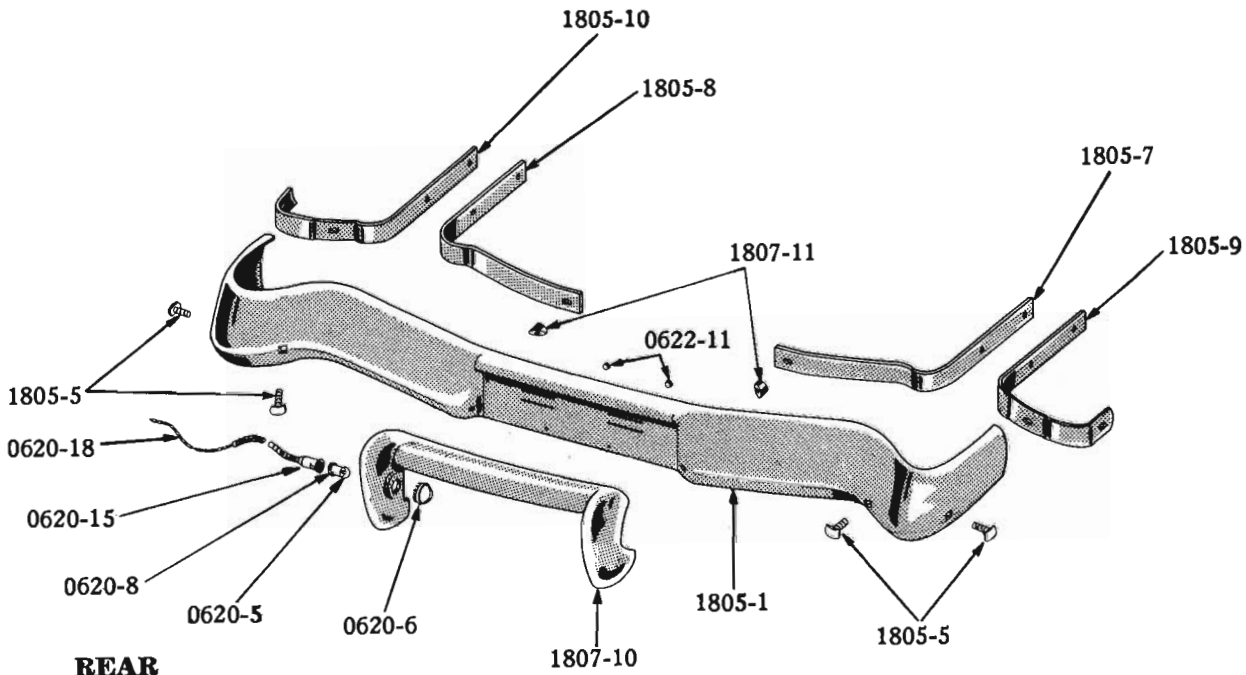
REAR

MODELS 56G, 56B, 56H-W-Y-F

C- 3395

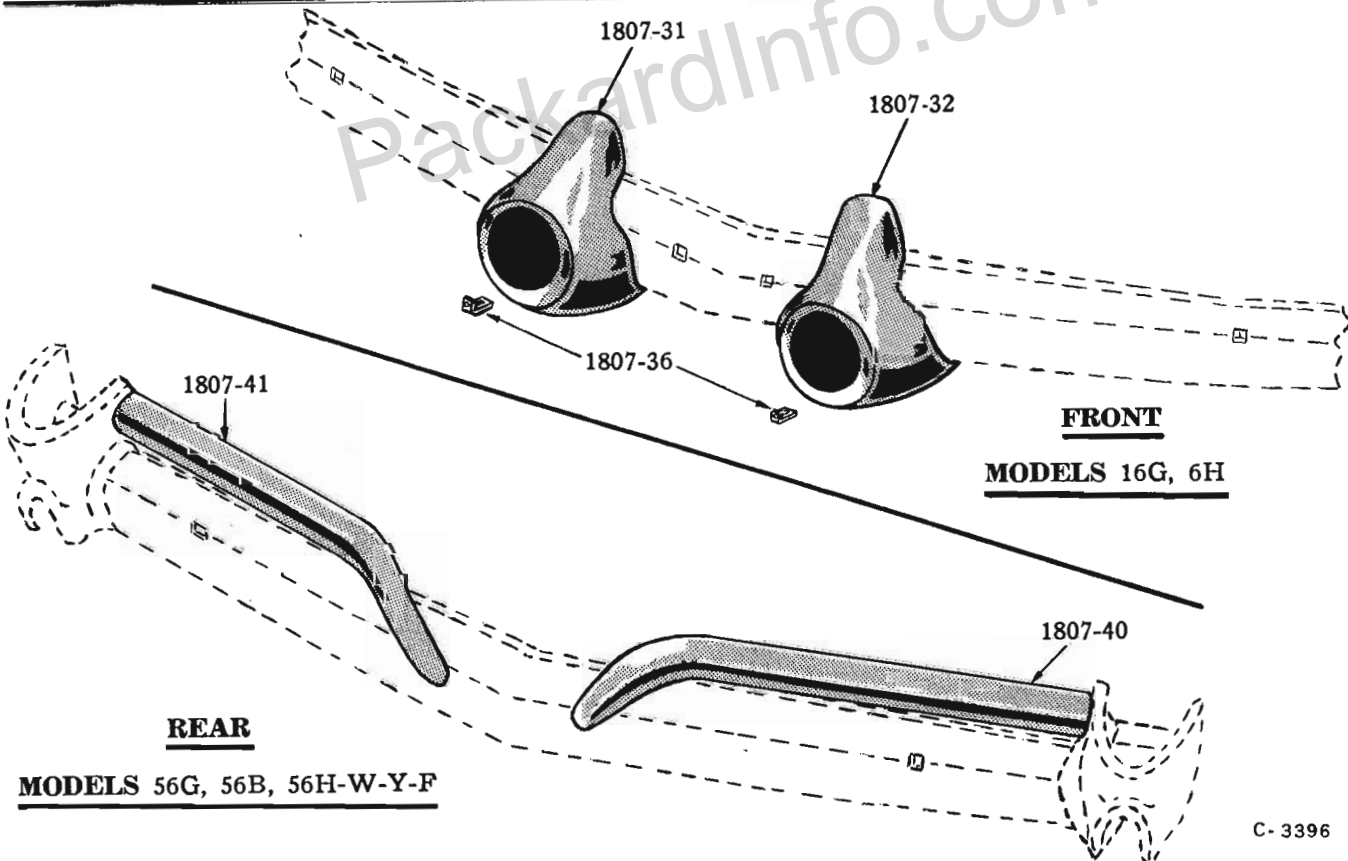
BUMPER BARS and GUARDS

SHOCK ABSORBERS, BUMPERS AND GUARDS



REAR

MODELS 16G, 56G, 56B, 56H-D



FRONT

MODELS 16G, 6H

REAR

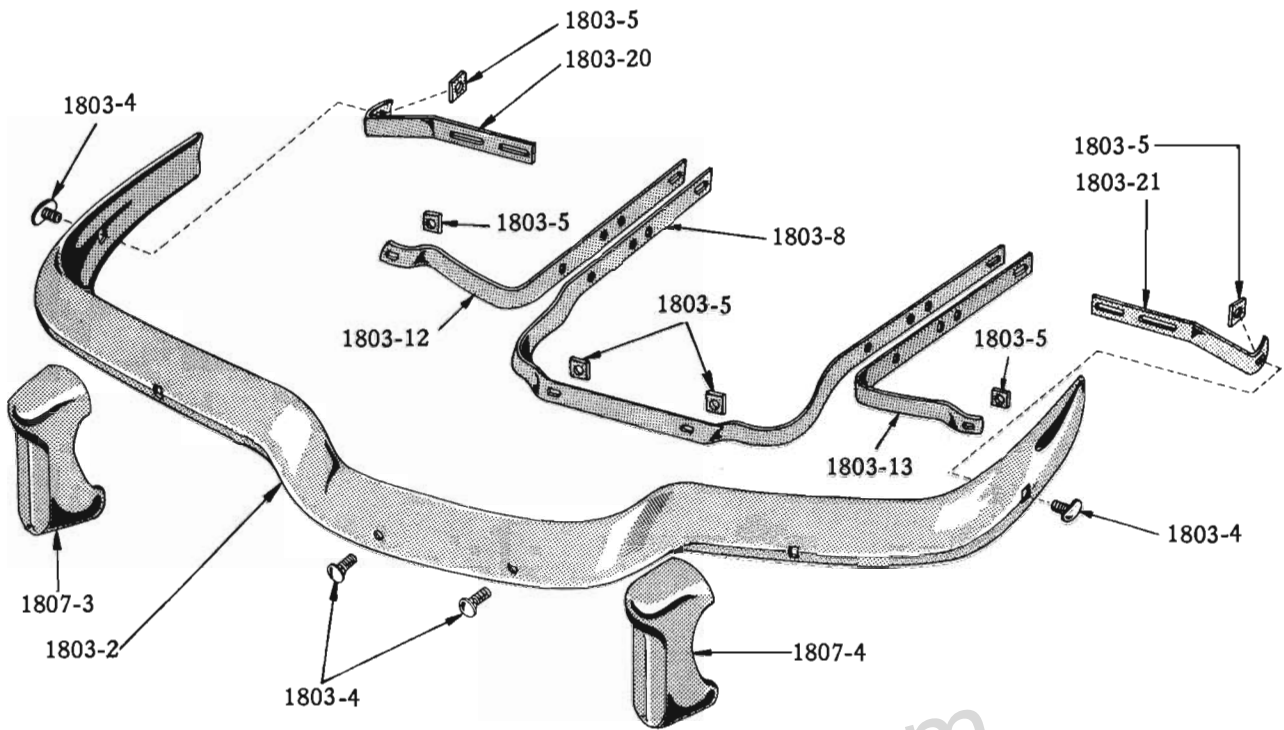
MODELS 56G, 56B, 56H-W-Y-F

C-3396

BUMPER BARS and GUARDS

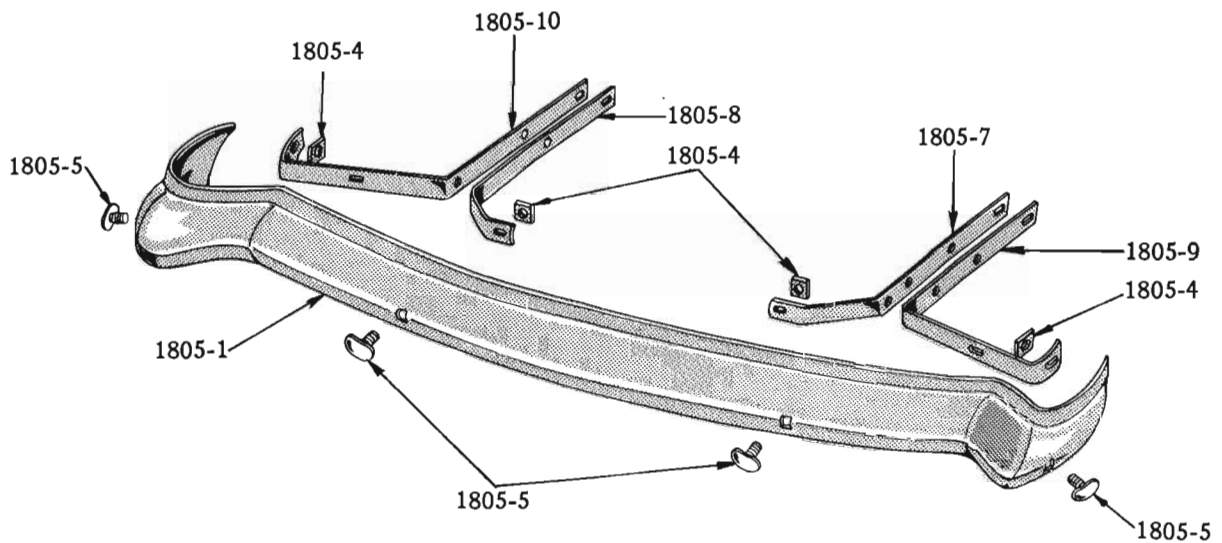
SHOCK ABSORBERS, BUMPERS AND GUARDS

Plate 18-5



FRONT

MODELS 57G, 57B, 57H-W-Y-F-D-P



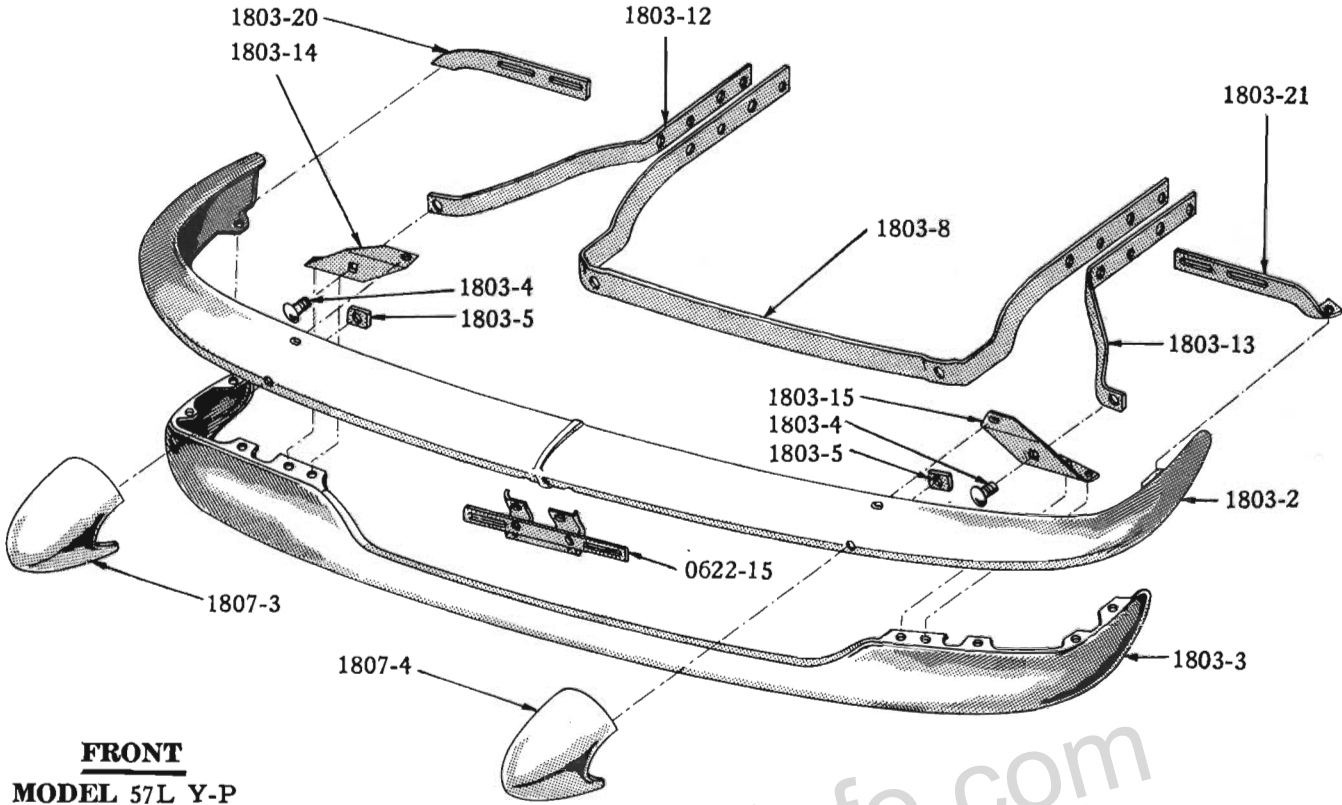
REAR

MODELS 57G, 57B, 57H-W-Y-F-D-P, 57L-Y-P

C-3485

BUMPER BARS and GUARDS

SHOCK ABSORBERS, BUMPERS AND GUARDS



**FRONT
MODEL 57L Y-P**

BUMPER BARS and GUARDS

C-3524

1801

ILLUST. NUMBER	PART NUMBER	CHANGE <input type="checkbox"/>	DESCRIPTION	MODELS	PER CAR
1801- SHOCK ABSORBERS (Plate 18-1)					
FRONT SHOCK ABSORBERS					
			TYPE		
1801-2	535403		SHOCK ABSORBER - STD. - W-F-C-K - NOTE 1	A 16G6	2
1801-2	537021		SHOCK ABSORBER - STD. - W-F-C-K - NOTE 2	A 16G6	2
1801-2	537997		SHOCK ABSORBER - D.	A 16G6	2
1801-2	532746		SHOCK ABSORBER - HD. (HOUDE)	A 16G6	2
1801-2	536398		SHOCK ABSORBER - HD. (GABRIEL)	A 16G6	2
1801-2	535403		SHOCK ABSORBER - STD. - W-Y-F - NOTE 1.	A 16G8, 6H	2
1801-2	537022		SHOCK ABSORBER - STD. - W-Y-F - NOTE 2.	A 16G8, 6H	2
1801-2	534319		SHOCK ABSORBER - STD. - C-K - NOTE 1.	A 16G8, 6H	2
1801-2	537021		SHOCK ABSORBER - STD. - C-K - NOTE 2.	A 16G8, 6H	2
1801-2	537997		SHOCK ABSORBER - STD. - D	A 16G8	2

NOTES	{	1 - USED ON MODELS	16G6	• 16G8	6H	
		BEFORE CAR SERIALS W-F-Y	1,323,929	FRONT 8,382,736	7,150,887	
		C-K	1,323,929	REAR 8,389,318		
		2 - USED ON AND AFTER CAR SERIALS IN NOTE 1.		8,392,372	7,153,674	

SHOCK ABSORBERS, BUMPERS AND GUARDS 1801

ILLUST. NUMBER	PART NUMBER	CHANGE	DESCRIPTION	MODELS	PER CAR
1801- SHOCK ABSORBERS-Cont'd. (Plate 18-1)					
FRONT SHOCK ABSORBERS-Cont'd.					
				USE WITH FRONT SPRING	
1801-2	532746		SHOCK ABSORBER - HD. (HOUDE)	A 16G8,6H	2
1801-2	536398		SHOCK ABSORBER - HD. (GABRIEL)	A 16G8,6H	2
1801-2	537021		SHOCK ABSORBER - STD. (HOUDE) W2-F2-C3 - NOTE 3	A 526128 56G	2
1801-2	1539525		SHOCK ABSORBER - STD. (MONROE)W2-F2-C3 - NOTE 4	A 1539500 56G	2
1801-2	1539987		SHOCK ABSORBER - STD. (DELCO) W2-F2-C3 - NOTE 4	A 1539500 56G	2
1801-2	1539525		SHOCK ABSORBER - STD. (MONROE) EXCEPT W2-F2-C3-D	A 56G	2
1801-2	1539987		SHOCK ABSORBER - STD. (DELCO) EXCEPT W2-F2-C3-D	A 56G	2
1801-2	1539527		SHOCK ABSORBER - STD. (MONROE) D	A 56G,56B,56H	2
1801-2	537021		SHOCK ABSORBER - STD. (HOUDE) C3 - NOTE 3	A 526127 56B	2
1801-2	1539526		SHOCK ABSORBER - STD. (MONROE) C3 - NOTE 4	A 1539501 56B	2
1801-2	1539986		SHOCK ABSORBER - STD. (DELCO) C3 - NOTE 4	A 1539501 56B	2
1801-2	537022		SHOCK ABSORBER - STD. (HOUDE) W2-F2	A 526134 56B	2
1801-2	1539526		SHOCK ABSORBER - STD. (MONROE) W2-F2	A 1539501 56B	2
1801-2	1539986		SHOCK ABSORBER - STD. (DELCO) W2-F2	A 1539501 56B	2
1801-2	1539526	●	SHOCK ABSORBER - STD. (MONROE) EXCEPT W2-F2-C3-D	A 56B,56H	2
1801-2	1539986	●	SHOCK ABSORBER - STD. (DELCO) EXCEPT W2-F2-C3-D	A 56B,56H	2
1801-2	1539525	◆	SHOCK ABSORBER - STD. (MONROE) W-Y-F	A 56B,56H	2
1801-2	1539987	◆	SHOCK ABSORBER - STD. (DELCO) W-Y-F	A 56B,56H	2
1801-2	1539527		SHOCK ABSORBER - STD. (MONROE)	A 56J	2
1801-2	1541904		SHOCK ABSORBER - STD. B	57G	2
1801-2	1541903		SHOCK ABSORBER - W-Y-F B	57B,57H	2
1801-2	1541904		SHOCK ABSORBER - D-P B	57B,57H,57L	2
1801-2	1539526		SHOCK ABSORBER - C-K (MONROE)	A 57B,57H	2
1801-2	1539986		SHOCK ABSORBER - C-K (DELCO)	A 57B,57H	2
1801-2	1543702		SHOCK ABSORBER - Y	B 57L	2

NOTES { 3 - USED ON MODELS 56G 56B
BEFORE CAR SERIALS G-1,359,504 8,430,316
4 - USED ON AND AFTER CAR SERIALS IN NOTE 3.
● - NOT USED WITH AIR COND.
◆ - USED WITH AIR COND. SPEC. ORDER.

1801 SHOCK ABSORBERS, BUMPERS AND GUARDS

ILLUST. NUMBER	PART NUMBER	CHANGE	DESCRIPTION	MODELS	PER CAR
1801- SHOCK ABSORBERS-Cont'd. (Plate 18-1)					
FRONT SHOCK ABSORBERS-Cont'd.					
			TYPE		
1801-2	535401		SHOCK ABSORBER - STD.	16G6	2
1801-2	530508		SHOCK ABSORBER - HD.	16G6	2
1801-2	535401		SHOCK ABSORBER - STD. - W-F	16G8.6H.	2
1801-2	534329		SHOCK ABSORBER - STD. - C-K	16G8.6H.	2
1801-2	530508		SHOCK ABSORBER - HD.	16G8.6H.	2
1801-2	1539537		SHOCK ABSORBER - STD.	56G.	2
1801-2	1539538		SHOCK ABSORBER - STD.	56B,56H.	2
1801-2	1541898		SHOCK ABSORBER - STD. (MONROE)	57G.	2
1801-2	1541899		SHOCK ABSORBER - STD. - W-Y-F (MONROE)	57B,57H.	2
1801-2	1541898		SHOCK ABSORBER - STD. - C-K (MONROE)	57B,57H.	2
1801-2	536398		SHOCK ABSORBER - HD. (GABRIEL)	56G,56B,56H,56J.	2
1801-2	537712		SHOCK ABSORBER - HD. (GABRIEL) ADJ. TYPE	56G,56B,56H,56J.	2
1801-2	1541958		SHOCK ABSORBER - HD. (GABRIEL)	57G,57B,57H,57L.	2
1801-2	1541901		SHOCK ABSORBER - HD. (GABRIEL) ADJ. TYPE	57G,57B,57H,57L.	2
1801-6	510569		NUT, FASTENING 3/8"-24 } FOR TYPE A	ALL EXCEPT 57G,57L	4
	G107828		PAL NUT, LOCKING 3/8"-24 } SHOCK ABSORBER	ALL EXCEPT 57G,57L	4
1801-6	510569		NUT, UPPER, FASTENING HEX. 3/8"-24 } FOR	57G,57B,57H,57L.	2
	G107828		PAL NUT, LOCKING 3/8"-24 } TYPE B	57G,57B,57H,57L.	2
	531075		BOLT, LOWER, FASTENING 5/16"-24X3/4" } SHOCK	57G,57B,57H,57L.	2
	G120368		NUT, HEX. 5/16"-24 } ABSORBER	57G,57B,57H,57L.	2
	G120214		WASHER, LOCK 5/16" }	57G,57B,57H,57L.	2
			TYPE		
1801-45	522673		GROMMET, SHOCK ABSORBER	ALL EXCEPT 57G,57L	8
1801-45	522673		GROMMET, SHOCK ABSORBER	57G,57B,57H.	4
1801-45	465266		GROMMET, UPPER, SHOCK ABSORBER - Y	57L.	2
1801-45	522673		GROMMET, LOWER, SHOCK ABSORBER - Y	57L.	2
1801-45	522673		GROMMET, SHOCK ABSORBER - P	57L.	4
1801-46	510568		RETAINER, SHOCK ABSORBER GROMMET	ALL EXCEPT 57G,57L	8
1801-46	510568		RETAINER, SHOCK ABSORBER GROMMET	57G,57B,57H.	4
1801-46	510568		RETAINER, SHOCK ABSORBER GROMMET - Y	57L.	6
1801-46	510568		RETAINER, SHOCK ABSORBER GROMMET - P	57L.	4
1801-48	522777		SEAT, SHOCK ABSORBER GROMMET	ALL EXCEPT 57G,57L	4
1801-48	522777		SEAT, SHOCK ABSORBER GROMMET	57G,57B,57H.	2
1801-48	522777		SEAT, SHOCK ABSORBER GROMMET - P	57L.	2
1801-50	531895		SUPPORT, SHOCK ABSORBER LOWER	16G,6H,56G,56B,56H,56J	2
1801-50	1542067		SUPPORT, SHOCK ABSORBER LOWER	57B,57H	2
	531075		BOLT, TO CONTROL ARM 5/16"-24X3/4"	ALL EXCEPT 57G,57L	4
	G120368		NUT, HEX. 5/16"-24	ALL EXCEPT 57G,57L	4
	G120214		WASHER, LOCK 5/16"	ALL EXCEPT 57G,57L	4
REAR SHOCK ABSORBERS					
			TYPE		
1801-58	534964		SHOCK ABSORBER-STD. - W-Y-F-C-K }	16G,6H	2
			- NOTE 1		
1801-58	537025		SHOCK ABSORBER-STD. - W-F-C-K } U.S.A.	16G6	2
			- NOTE 2		
1801-58	537026		SHOCK ABSORBER-STD. - W-Y-F }	16G8,6H	2
			- NOTE 2		

NOTES	1 - USED ON MODELS	16G6	FRONT	16G8	6H
	BEFORE CAR SERIALS W-F-Y	1,323,929	8,382,736	7,150,887	
	C-K	1,323,929	REAR	8,389,318	
	2 - USED ON AND AFTER CAR SERIALS IN NOTE 1.			8,392,372	7,153,674

SHOCK ABSORBERS, BUMPERS AND GUARDS

1801

ILLUST. NUMBER	PART NUMBER	CHANGE	DESCRIPTION	MODELS	PER CAR
1801- SHOCK ABSORBERS-Cont'd. (Plate 18-1)					
REAR SHOCK ABSORBERS-Cont'd.					
				USE WITH FRONT TYPE · SPRING	
1801-58	537025		SHOCK ABSORBER - STD. - C-K		
			- NOTE 2	A	16G8, 6H 2
1801-58	537998		SHOCK ABSORBER - STD. - D	A	16G 2
1801-58	532747		SHOCK ABSORBER - Hd. - (HOUDE)	A	16G, 6H 2
1801-58	536399		SHOCK ABSORBER - Hd. - (GABRIEL)	A	16G, 6H 2
1801-58	537025		SHOCK ABSORBER - STD. - (HOUDE) - W2-F2-C3 - NOTE 3	A	526128 56G 2
1801-58	1539543		SHOCK ABSORBER - STD. - (MONROE) - W2-F2-C3 - NOTE 4	A	1539500 56G 2
1801-58	1539997		SHOCK ABSORBER - STD. - (DELCO) - W2-F2-C3 - NOTE 4	A	1539500 56G 2
1801-58	1539543		SHOCK ABSORBER - STD. - (MONROE) - EXCEPT W2-F2-C3-D	A	56G 2
1801-58	1539997		SHOCK ABSORBER - STD. - (DELCO) - EXCEPT W2-F2-C3-D	A	56G 2
1801-58	1539545		SHOCK ABSORBER - STD. - (MONROE) - D	A	56H, 56B, 56H 2
1801-58	537025		SHOCK ABSORBER - STD. - (HOUDE) - C3 - NOTE 3	A	526127 56B 2
1801-58	1539544		SHOCK ABSORBER - STD. - (MONROE) - C3 - NOTE 4	A	1539501 56B 2
1801-58	1539996		SHOCK ABSORBER - STD. - (DELCO) - C3 - NOTE 4	A	1539501 56B 2
1801-58	537026		SHOCK ABSORBER - STD. - (HOUDE) - W2-F2	A	526134 56B 2
1801-58	1539544		SHOCK ABSORBER - STD. - (MONROE) - W2-F2	A	1539501 56B 2
1801-58	1539996		SHOCK ABSORBER - STD. - (DELCO) - W2-F2	A	1539501 56B 2
1801-58	1539544		SHOCK ABSORBER - STD. - (MONROE) - EXCEPT W2-F2-C3-D	A	56B, 56H 2
1801-58	1539996		SHOCK ABSORBER - STD. - (DELCO) - EXCEPT W2-F2-C3-D	A	56B, 56H 2
1801-58	1539543		SHOCK ABSORBER - STD. - (MONROE)	A	56J 2
1801-58	1541911		SHOCK ABSORBER - STD. - W-F-C-K	B	57G 2
1801-58	1541913		SHOCK ABSORBER - STD. - D-P	B	57G, 57B, 57H, 57L 2
1801-58	1541911		SHOCK ABSORBER - STD. - W-Y-F	B	57B, 57H 2
1801-58	1539544		SHOCK ABSORBER - STD. - C-K - (MONROE)	A	57B, 57H 2
1801-58	1539996		SHOCK ABSORBER - STD. - C-K - (DELCO)	A	57B, 57H 2
1801-58	1543704		SHOCK ABSORBER - STD. - Y	B	57L 2
1801-58	534965		SHOCK ABSORBER - STD.	A	16G, 6H 2
1801-58	532751		SHOCK ABSORBER - Hd.	A	16G, 6H 2
1801-58	1539549		SHOCK ABSORBER - STD. } CANADA	A	56H 2
1801-58	1539550		SHOCK ABSORBER - STD. }	A	56B, 56H 2
1801-58	1541907		SHOCK ABSORBER - STD. }	B	57G, 57B, 57H 2
1801-58	536399		SHOCK ABSORBER - Hd. - (GABRIEL)	A	56G, 56B, 56H, 56J 2
1801-58	537714		SHOCK ABSORBER - Hd. - (GABRIEL)	A	56G, 56B, 56H, 56J 2
			ADJ. TYPE	A	56G, 56B, 56H, 56J 2
1801-58	1541959		SHOCK ABSORBER - Hd. - (GABRIEL)	B	57G, 57B, 57H, 57L 2
1801-59	1541910		SHOCK ABSORBER - Hd. - (GABRIEL)	B	57G, 57B, 57H, 57L 2
			ADJ. TYPE	B	57G, 57B, 57H, 57L 2

NOTES	}	2 - USED ON MODELS	16G6	16G8	6H
		AFTER CAR SERIALS W-F-Y	1,323,929	FRONT 8,382,736	7,150,887
			C-K 1,323,929	REAR 8,389,318	
				8,392,372	7,153,674
		3 - USED ON MODELS	56G	56B	
		BEFORE CAR SERIALS	G-1,359,504	8,430,316	
		4 - USED ON AND AFTER CAR SERIALS IN NOTE 3.			

1801 SHOCK ABSORBERS, BUMPERS AND GUARDS

ILLUST. NUMBER	PART NUMBER	CHANGE	DESCRIPTION	MODELS	PER CAR
1801- SHOCK ABSORBERS-Cont'd. (Plate 18-1)					
REAR SHOCK ABSORBERS-Cont'd.					
1801-60	524831		STUD, TO FRAME 7/16"-20X3 3/8"	ALL EXCEPT 57G, 57L	2
	G181411		BOLT, TO PLATE 7/16"-20X3"	ALL EXCEPT 57G, 57L	2
	G271506		NUT, HEX. 7/16"-20.	ALL EXCEPT 57G, 57L	4
	41X377		WASHER, PLAIN 7/16"	ALL EXCEPT 57G, 57L	4
	G120383		WASHER, LOCK 7/16"	ALL EXCEPT 57G, 57L	4
1801-62	524832		SPACER, STUD 1/2" THICK	ALL EXCEPT 57G, 57L	2
1801-63	527974		SPACER, BOLT 1/4" THICK	ALL EXCEPT 57G, 57L	2
	G181677		BOLT, UPPER, FASTENING 7/16"-20X3"	57G, 57B, 57H, 57L	2
	G181409		BOLT, LOWER, FASTENING 7/16"-20X2 3/4"	57G, 57B, 57H, 57L	2
	G272600		NUT, HEX. 7/16"-20	57G, 57B, 57H, 57L	4
			FOR TYPE A SHOCK ABSORBER		
			FOR TYPE B SHOCK ABSORBER		
1801-67	523117		BUSHING, SHOCK ABSORBER - RUBBER - TYPE A	ALL EXCEPT 57G, 57L	8
1801-68	524833		SPACER, SHOCK ABSORBER BUSHING - TYPE A	ALL EXCEPT 57G, 57L	4
1803- FRONT BUMPERS (Plates 18-2, 3, 4, 5, 6)					
FACE BARS					
1803-2	535934W		BAR, OUTER FACE, FRONT BUMPER.	16G, 6H	1
1803-2	1539589W		BAR, OUTER FACE, FRONT BUMPER.	56G, 56B, 56H, 56J.	1
1803-2	1541585W		BAR, OUTER FACE, FRONT BUMPER-W-Y-F-D-P.	57G, 57B, 57H.	1
1803-2	1539589W		BAR, OUTER FACE, FRONT BUMPER-C-K.	57G, 57B, 57H.	1
1803-2	1543503		BAR, UPPER OUTER FACE, FRONT BUMPER.	57L.	1
1803-3	1543504		BAR, LOWER OUTER FACE, FRONT BUMPER.	57L.	1
1803-4	524972		BOLT, TO SUPT. BARS 7/16"-14X1 1/4"	16G, 6H, 56G, 56B, 56H, 56J	4
	1541696		BOLT, TO INNER AND OUTER BAR } W-Y-F-D-P	57G, 57B, 57H.	4
	524972		BOLT, TO SIDE BAR	57G, 57B, 57H.	2
	524972		BOLT, TO SUPT. BAR - C-K	57G, 57B, 57H.	4
	518494		SPACER, BOLT - W-Y-F-D-P	57G, 57B, 57H.	6
	1541769		SPACER, BOLT - C-K - NOTE 5.	56G, 56B, 56J, 57G, 57B, 57H.	2
	G272599		NUT, HEX. 7/16"-14	ALL EXCEPT 57L	*
1803-5	41X359		WASHER, PLAIN 7/16"	ALL EXCEPT 57L	*
	G181636		BOLT, UPPER TO LOWER BAR 3/8"-24X7/8"	57L.	4
	G451011		NUT, HEX. 3/8"-24.	57L.	4
	G120394		WASHER, PLAIN 3/8"	57L.	4
FRONT BUMPER TO FRAME SUPPORT BARS					
1803-8	535967P		BAR, SUPPORT, INNER	16G, 6H	1
1803-12	535970P		BAR, SUPPORT, OUTER RIGHT } EXCEPT C-K	16G, 6H	1
1803-13	535971P		BAR, SUPPORT, OUTER LEFT	16G, 6H	1
1803-8	536135P		BAR, SUPPORT, INNER	16G, 6H	1
1803-12	586136P		BAR, SUPPORT, OUTER RIGHT } C-K	16G, 6H	1
1803-13	536137P		BAR, SUPPORT, OUTER LEFT	16G, 6H	1
1803-8	1539416P		BAR, SUPPORT, INNER	56G, 56B, 56H.	1
1803-12	1539414P		BAR, SUPPORT, OUTER RIGHT } EXCEPT C-K	56G, 56B, 56H.	1
1803-13	1539415P		BAR, SUPPORT, OUTER LEFT	56G, 56B, 56H.	1
1803-8	1539042P		BAR, SUPPORT, INNER	56G, 56B, 56H, 56J, 57G, 57B, 57H	1
1803-12	1539040P		BAR, SUPPORT, OUTER RIGHT } C-K	56G, 56B, 56H, 56J, 57G, 57B, 57H	1
1803-13	1539041P		BAR, SUPPORT, OUTER LEFT	56G, 56B, 56H, 56J, 57G, 57B, 57H	1
1803-8	1541675P		BAR, SUPPORT, INNER	57G, 57B, 57H.	1
1803-12	1541676P		BAR, SUPPORT, OUTER RIGHT } W-Y-F-D-P	57G, 57B, 57H.	1
1803-13	1541677P		BAR, SUPPORT, OUTER LEFT	57G, 57B, 57H.	1
1803-8	1543517P		BAR, SUPPORT, INNER	57L.	1
1803-12	1543520P		BAR, SUPPORT, OUTER RIGHT.	57L.	1
1803-13	1543521P		BAR, SUPPORT, OUTER LEFT	57L.	1

NOTES { * - USE AS REQUIRED.
 5 - USED ON MODELS
 AFTER CAR SERIALS C-K 56G 56B 56J
 1,374,308 8,448,579 6,032,976

SHOCK ABSORBERS, BUMPERS AND GUARDS

1805

ILLUST. NUMBER	PART NUMBER	CHANGE	DESCRIPTION	MODELS	PER CAR
1803- FRONT BUMPERS-Cont'd. (Plate 18-2,3,4,5,6)					
FRONT BUMPER TO FRAME SUPPORT BARS-Cont'd.					
	G180123		BOLT, OUTER TO INNER BAR 3/8"-16X1 1/8"	56G, 56B, 56H, 56J, 57G, 57B, 57H	4
	G179839		BOLT, OUTER TO INNER BAR 3/8"-16X1"	57L	2
	----		BOLT, OUTER TO INNER BAR 3/8"-16X3/4"	57L	2
	G451009		NUT, LOCKING 3/8"-16	ALL EXCEPT 16G, 6H	4
	1296X90		BOLT, TO FRAME 7/16"-20X3" - U.S.A.	ALL MODELS	4
	G181678		BOLT, TO FRAME 7/16"-20X3" - CANADA	ALL MODELS	4
	1541479		NUT, HEX. 7/16"-20	ALL MODELS	4
	41X359		WASHER, LOCK 7/16"	ALL MODELS	*
1803-14	1543518P		BRACKET, RIGHT, OUTER SUPT. BAR	57L	1
1803-15	1543519P		BRACKET, LEFT, OUTER SUPT. BAR	57L	1
	358215		BOLT, TO BAR 7/16"-14X1 1/4"	57L	4
	G451009		NUT, HEX. 7/16"-14	57L	4
	G120396		WASHER, PLAIN 7/16"	57L	4
1803-20	1540272P		BAR, RIGHT, BUMPER REINFORCING	56G, 56B, 56H	1
1803-21	1540273P		BAR, LEFT, BUMPER REINFORCING } EXCEPT C-K	56G, 56B, 56H	1
1803-20	1541678P		BAR, RIGHT, BUMPER REINFORCING	57G, 57B, 57H	1
1803-21	1541679P		BAR, LEFT, BUMPER REINFORCING } EXCEPT C-K	57G, 57B, 57H	1
1803-20	1543534P		BAR, RIGHT, BUMPER REINFORCING	57L	1
1803-21	1543535P		BAR, LEFT, BUMPER REINFORCING	57L	1
	----		NUT, TO DEFLECTOR STUD HEX. 3/8"-16	57G, 57B, 57H, 57L	4
	G120394		WASHER, PLAIN 3/8"	57G, 57B, 57H, 57L	4
	G180147		BOLT, TO SUPT. 7/16"-14X1 1/4"	57L	2
	G272599		NUT, HEX. 7/16"-14	57L	2
	G120395		WASHER, PLAIN 7/16"	57L	2
1803-25	1540669P		SUPPORT, BUMPER REINFORCING BAR - EXCEPT C-K	56G, 56B, 56H	2
	G180123		BOLT, SUPT. TO BAR 3/8"-16X1 1/8"	56G, 56B, 56H	2
	----		NUT, HEX. 3/8"-16	56G, 56B, 56H	2
	----		WASHER, PLAIN 7/16"	56G, 56B, 56H	2
	534241		WASHER, LOCK SPECIAL	56G, 56B, 56H	2
1803-29	1540277		ANTI-SQUEAK, REINFORCING BAR SUPT. - EXCEPT C-K	56G, 56B, 56H	2
1803-35	1543528		GRILLE, FRONT BUMPER	57L	1
1803-37	1543602		PLATE, GRILLE BACKING } ILLUST.	57L	2
	1501X28		SCREW, PLATE TO GRILLE } PLATE 16-7	57L	8
1805- REAR BUMPERS (Plates 18-2, 3)					
FACE BARS					
1805-1	536005W		BAR, OUTER FACE, REAR BUMPER - EXCEPT D	16G, 6H	1
1805-1	532088W		BAR, OUTER FACE, REAR BUMPER - D	16G, 56G, 56B, 56H	1
1805-1	1540278W		BAR, OUTER FACE, REAR BUMPER - W-F-Y	56G, 56B, 56H	1
1805-1	536005W		BAR, OUTER FACE, REAR BUMPER - C-K	56G, 56B, 56H, 56J, 57G, 57B, 57H	1
1805-1	1541655W		BAR, OUTER FACE, REAR BUMPER - W-Y-F-D-P	57G, 57B, 57H, 57L	1
	518494		SPACER, TO SUPT. BAR	57G, 57B, 57H, 57L	4
1805-5	524972		BOLT, TO SUPT. BARS 7/16"-14X1 1/4" EXCEPT D	16G, 6H	6
1805-5	524972		BOLT, TO SUPT. BARS 7/16"-14X1 1/4" - D	16G, 56G, 56B, 56H	4
1805-5	524972		BOLT, TO SUPT. BARS 7/16"-14X1 1/4" - W-F-Y	56G, 56B, 56H	2
1805-5	524972		BOLT, TO SUPT. BARS 7/16"-14X1 1/4" - C-K	56G, 56B, 56H, 56J, 57G, 57B, 57H	6
1805-1	524972		BOLT, TO SUPT. BARS 7/16"-14X1 1/4" - W-Y-F-D-P	57G, 57B, 57H, 57L	4
	G272599		NUT, HEX. 7/16"-14	ALL MODELS	*
	41X359		WASHER, PLAIN 7/16"	ALL MODELS	*
1805-6-1	1539124W		END, RIGHT BUMPER OUTER FACE BAR	56G, 56B, 56H	1
1805-6-2	1539125W		END, LEFT BUMPER OUTER FACE BAR	56G, 56B, 56H	1
	G180145		BOLT, END TO REAR BUMPER 7/16"-14X1"	56G, 56B, 56H	2
	G272599		NUT, HEX. 7/16"-14	56G, 56B, 56H	4
	41X359		WASHER, PLAIN 7/16"	56G, 56B, 56H	4

NOTE { * - USE AS REQUIRED.

1805 SHOCK ABSORBERS, BUMPERS AND GUARDS

ILLUST. NUMBER	PART NUMBER	CHANGE	DESCRIPTION	MODELS	PER CAR
1805- REAR BUMPERS-Cont'd. (Plates 18-2,3)					
REAR BUMPER TO FRAME SUPPORT BAR					
1805-7	536122P		BAR, SUPPORT, INNER RIGHT	16G, 6H	1
1805-8	536123P		BAR, SUPPORT, INNER LEFT	16G, 6H	1
1805-9	536132P		BAR, SUPPORT, OUTER RIGHT	16G, 6H	1
1805-10	536133P		BAR, SUPPORT, OUTER LEFT	16G, 6H	1
1805-7	1539456P		BAR, SUPPORT, INNER RIGHT	56G, 56B, 56H	1
1805-8	1539457P		BAR, SUPPORT, INNER LEFT	56G, 56B, 56H	1
1805-9	1539436P		BAR, SUPPORT, OUTER RIGHT	56G, 56B, 56H	1
1805-10	1539437P		BAR, SUPPORT, OUTER LEFT	56G, 56B, 56H	1
1805-7	536100P		BAR, SUPPORT, INNER RIGHT	ALL EXCEPT 57L	1
1805-8	536101P		BAR, SUPPORT, INNER LEFT	ALL EXCEPT 57L	1
1805-9	536102P		BAR, SUPPORT, OUTER RIGHT	ALL EXCEPT 57L	1
1805-10	536103P		BAR, SUPPORT, OUTER LEFT	ALL EXCEPT 57L	1
1805-7	534244P		BAR, SUPPORT, INNER RIGHT	16G, 56G, 56B, 56H	1
1805-8	534245P		BAR, SUPPORT, INNER LEFT	16G, 56G, 56B, 56H	1
1805-9	533821P		BAR, SUPPORT, OUTER RIGHT	16G, 56G, 56B, 56H	1
1805-10	533822P		BAR, SUPPORT, OUTER LEFT	16G, 56G, 56B, 56H	1
1805-7	1541708P		BAR, SUPPORT, INNER RIGHT	57G, 57B, 57H	1
1805-8	1541709P		BAR, SUPPORT, INNER LEFT	57G, 57B, 57H	1
1805-9	1541710P		BAR, SUPPORT, OUTER RIGHT	57G, 57B, 57H	1
1805-10	1541711P		BAR, SUPPORT, OUTER LEFT	57G, 57B, 57H	1
1805-7	1543536P		BAR, SUPPORT, INNER RIGHT	57L	1
1805-8	1543537P		BAR, SUPPORT, INNER LEFT	57L	1
1805-9	1543538P		BAR, SUPPORT, OUTER RIGHT	57L	1
1805-10	1543539P		BAR, SUPPORT, OUTER LEFT	57L	1
1805-7	1541708P		BAR, SUPPORT, INNER RIGHT	57L	1
1805-8	1541709P		BAR, SUPPORT, INNER LEFT	57L	1
1805-9	1541710P		BAR, SUPPORT, OUTER RIGHT	57L	1
1805-10	1541711P		BAR, SUPPORT, OUTER LEFT	57L	1
	G180123		BOLT, INNER TO OUTER BAR 3/8"-16X1 1/8"	57G, 57B, 57H	4
	G180122		BOLT, INNER TO OUTER BAR 3/8"-16X1"	57L	4
	----		NUT, HEX. 3/8"-16	57G, 57B, 57H, 57L	4
	G181670		BOLT, TO FRAME 7/16"-20X1 1/2"	ALL MODELS	4
	G271506		NUT, HEX. 7/16"-20	ALL MODELS	4
	41X359		WASHER, PLAIN 7/16"	ALL MODELS	*
	G136857		WASHER, LOCK 7/16"	ALL MODELS	4
	534241		WASHER, REAR BOLT LOCK - SPECIAL	ALL MODELS	2
1807- BUMPER GUARDS AND VERTICAL BUMPERS (Plates 18-2,3)					
FOR FOG LAMP DETAILS SEE GROUP 0631					
AC-2855	VERTICAL BUMPER KIT, FRONT - W-Y-F-D-P.				
	CONSISTS OF:			57G, 57B, 57H	1
	1-1542318W BUMPER, RIGHT	1-1542319W BUMPER, LEFT			
AC-2744	GUARD KIT, REAR BUMPER - W-Y-F - CONSISTS OF:			56G, 56B, 56H	1
	1-1539910W GUARD, RIGHT	4-G272599 NUT, LOCK			
	1-1539911W GUARD, LEFT	2-518494 WASHER			
	2-G180145 BOLT	2-41X359 WASHER			

NOTE { * - USE AS REQUIRED.

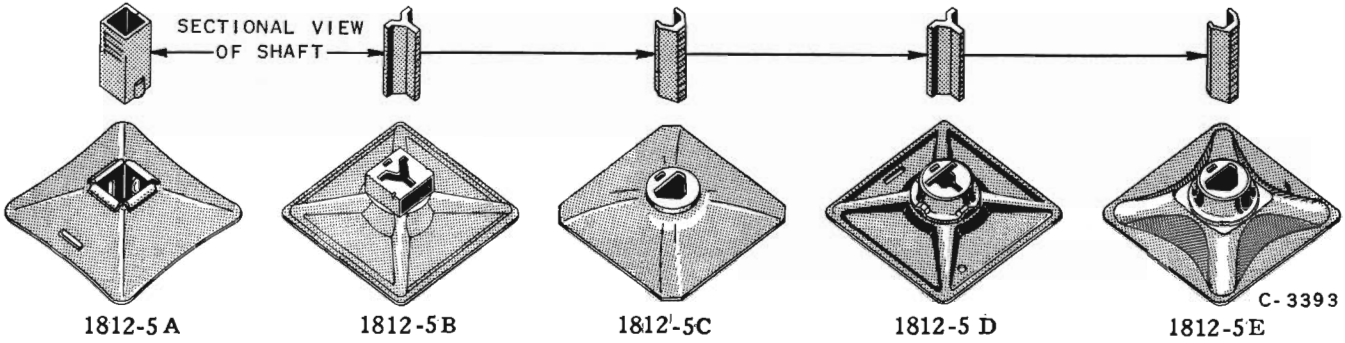
SHOCK ABSORBERS, BUMPERS AND GUARDS 1812

ILLUST. NUMBER	PART NUMBER	CHANGE	DESCRIPTION	MODELS	PER CAR
1807- BUMPER GUARDS AND VERTICAL BUMPERS-Cont'd.					
(Plates 18-2, 3)					
1807-3	536110W		VERTICAL BUMPER, RIGHT, FRONT BUMPER	16G, 6H	1
1807-4	536111W		VERTICAL BUMPER, LEFT, FRONT BUMPER.	16G, 6H	1
1807-3	1539032W		VERTICAL BUMPER, RIGHT, FRONT BUMPER	56G, 56B, 56H, 56J	1
1807-4	1539033W		VERTICAL BUMPER, LEFT, FRONT BUMPER	56G, 56B, 56H, 56J	1
1807-3	1542318W		VERTICAL BUMPER, RIGHT, FRONT BUMPER	57G, 57B, 57H.	1
1807-4	1542319W		VERTICAL BUMPER, LEFT, FRONT BUMPER	57G, 57B, 57H.	1
1807-3	1539032W		VERTICAL BUMPER, RIGHT, FRONT BUMPER	57G, 57B, 57H.	1
1807-4	1539033W		VERTICAL BUMPER, LEFT, FRONT BUMPER	57G, 57B, 57H.	1
1807-3	1543510		VERTICAL BUMPER, RIGHT, FRONT BUMPER	57L	1
1807-4	1543511		VERTICAL BUMPER, LEFT, FRONT BUMPER	57L	1
	G272599		NUT, TO BUMPER 7/16"-14	ALL EXCEPT 57L	2
	G272599		NUT, TO BUMPER 7/16"-14	57L	4
	G120395		WASHER, PLAIN 7/16"	57L	4
	518494		WASHER, SPACER	ALL MODELS	2
1807-10	532043W		VERTICAL BUMPER, REAR BUMPER - D	16G, 56G, 56B, 56H.	1
	G272599		NUT, TO BUMPER 7/16"-14	16G, 56G, 56B, 56H.	2
	41X359		WASHER, PLAIN 7/16"	16G, 56G, 56B, 56H.	2
1807-11	532274P		WASHER, SPACER	16G, 56G, 56B, 56H.	2
1807-31	536710W		GRILLE GUARD, RIGHT, FRONT BUMPER.	16G, 6H	1
1807-32	536711W		GRILLE GUARD, LEFT, FRONT BUMPER	16G, 6H	1
	G272599		NUT, TO BUMPER 7/16"-14	16G, 6H	2
	41X576		WASHER, PLAIN 7/16"	16G, 6H	2
1807-36	533834		BRACE, GRILLE GUARD TO FOG LAMP	16G, 6H	2
	----		BOLT, TO GUARD 1/4"-20X5/8"	16G, 6H	2
	G120375		NUT, HEX. 1/4"-20	16G, 6H	2
	G120392		WASHER, PLAIN 1/4"	16G, 6H	2
	G120380		WASHER, LOCK 1/4"	16G, 6H	2
1807-40	1539910W		GUARD, RIGHT, REAR BUMPER	56G, 56B, 56H.	1
1807-41	1539911W		GUARD, LEFT, REAR BUMPER	56G, 56B, 56H.	1
	G180145		BOLT 7/16"-14X1"	56G, 56B, 56H.	2
	G272599		NUT, LOCK 7/16"-14	56G, 56B, 56H.	4
	518494		WASHER (SPECIAL)	56G, 56B, 56H.	2
	41X359		WASHER, PLAIN 7/16"	56G, 56B, 56H.	2
1812- TOOLS (Illustr. Body Parts Catalog)					
	664292		PUMP, TIRE (EXPORT)	ALL MODELS	1
	181364		GUN, GREASE (EXPORT)	16G, 6H	1
	G127832		GUN, GREASE (EXPORT)	ALL EXCEPT 16G, 6H.	1
	513201		WRENCH, JACK HANDLE AND WHEEL SOCKET	ALL MODELS	1
USED WITH BASE					
	536498		JACK, LESS BASE - EXCEPT D-U.S.A.	16G, 6H	1
	537920		JACK, LESS BASE - D - U.S.A.	16G, 6H	1
	531387		JACK, LESS BASE - CANADA	16G, 6H	1
	1539167		JACK, LESS BASE - EXCEPT D-U.S.A.	56G, 56B, 56H, 56J.	1
	1539165		JACK, LESS BASE - EXCEPT D-U.S.A.	56G, 56B, 56H, 56J.	1
	1539035		JACK, LESS BASE - D	56G, 56B, 56H.	1
	537993		JACK, LESS BASE - D	56G, 56B, 56H.	1
	1541882		JACK, LESS BASE - CANADA	56G, 56B, 56H.	1
1812-1	1542351		JACK, LESS BASE - W-Y-F-C-K	57G, 57B, 57H.	1
1812-1	1542359		JACK, LESS BASE - W-Y-F-C-K	57G, 57B, 57H.	1
	1542360		JACK, LESS BASE - D-P	57G, 57B, 57H.	1
	465884		JACK, LESS BASE	57L	1

1812 SHOCK ABSORBERS, BUMPERS AND GUARDS

ILLUST. NUMBER	PART NUMBER	CHANGE	DESCRIPTION	MODELS	PER CAR
----------------	-------------	--------	-------------	--------	---------

1812- TOOLS-Cont'd.



1812-5A	536383	BASE, JACK - U.S.A.	16G, 6H	1
1812-5B	536499	BASE, JACK - U.S.A.	16G, 6H	1
1812-5C	1539037	BASE, JACK - U.S.A.	56G, 56B, 56H, 56J	1
	537729	BASE, JACK - CANADA	ALL EXCEPT 56J	1
1812-5D	1542350	BASE, JACK - U.S.A.	57G, 57B, 57H	1
1812-5E	1542358	BASE, JACK - U.S.A.	57G, 57B, 57H	1
1812-5B	465885	BASE, JACK	57L	1
	299057	SUPPORT, JACK - C-K	ALL MODELS	1
	G126460	BOLT, CARRIAGE 7/16" - 14X2"	ALL MODELS	1
	G144235	WING NUT 7/16" - 14	ALL MODELS	1
	G145494	SPEED NUT 7/16"	ALL MODELS	1
	G120395	WASHER, PLAIN 7/16"	ALL MODELS	1
1812-6	1312816	SPRING, JACK HOLD DOWN - W-F-Y	56G, 56B, 56H, 57G, 57B, 57H, 57L	1